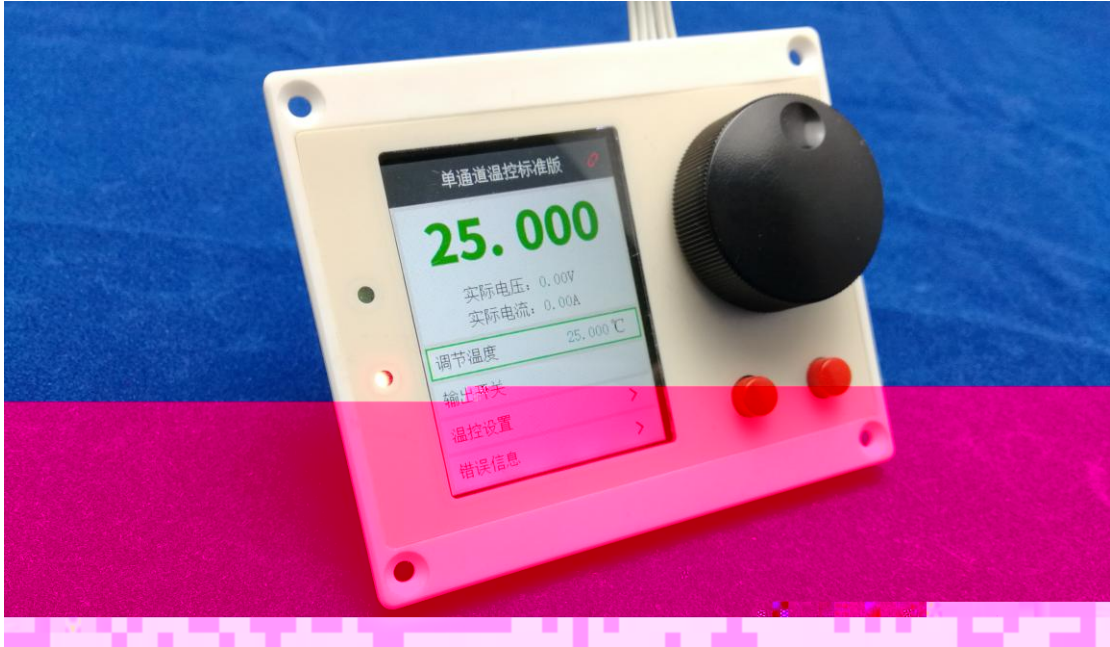


# UIMP



1

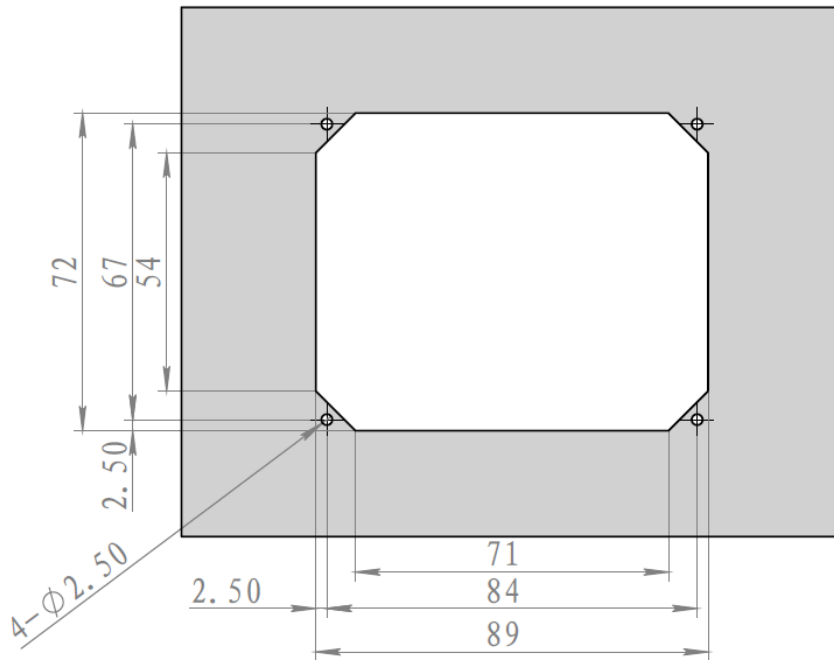
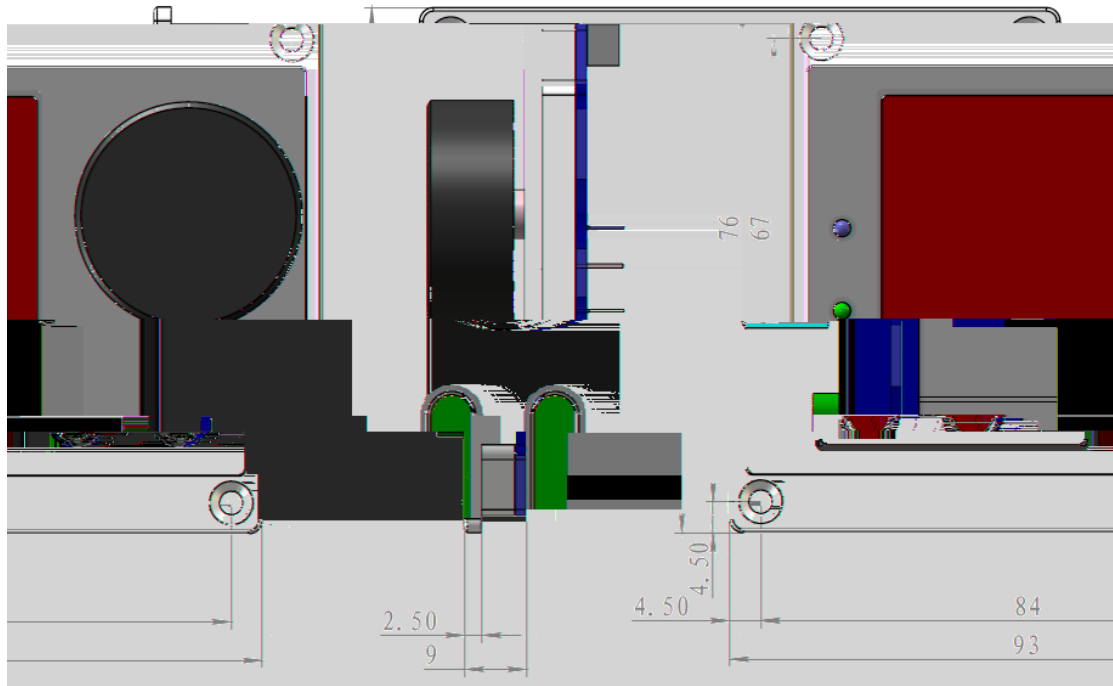
UIM

LCD

UIMP

UIMP

UIMP 1 ABS



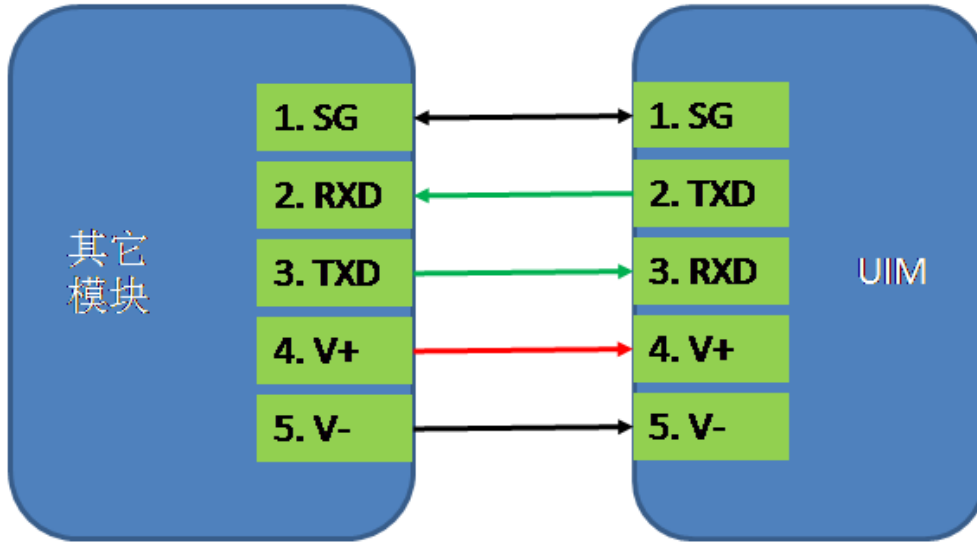
UIMP

5 PH2.0

1 5

UIMP

UI RS232



RXD	±15	V
TXD	±5.4	V
	57600	
V+	4.5 13.2	V

RS232	
	8
	1
	NONE
	57600

UIMP 1 Type-C USB USB  
5V  
USB USB2.0

## RS232

RS232	
	8
	1
	NONE
	921600