



UIM





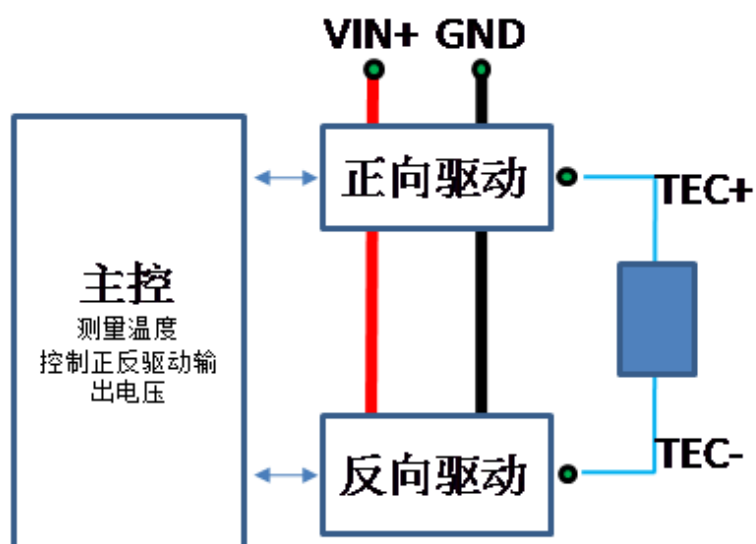




1 10k 1% B=3950 25

2 PID

4

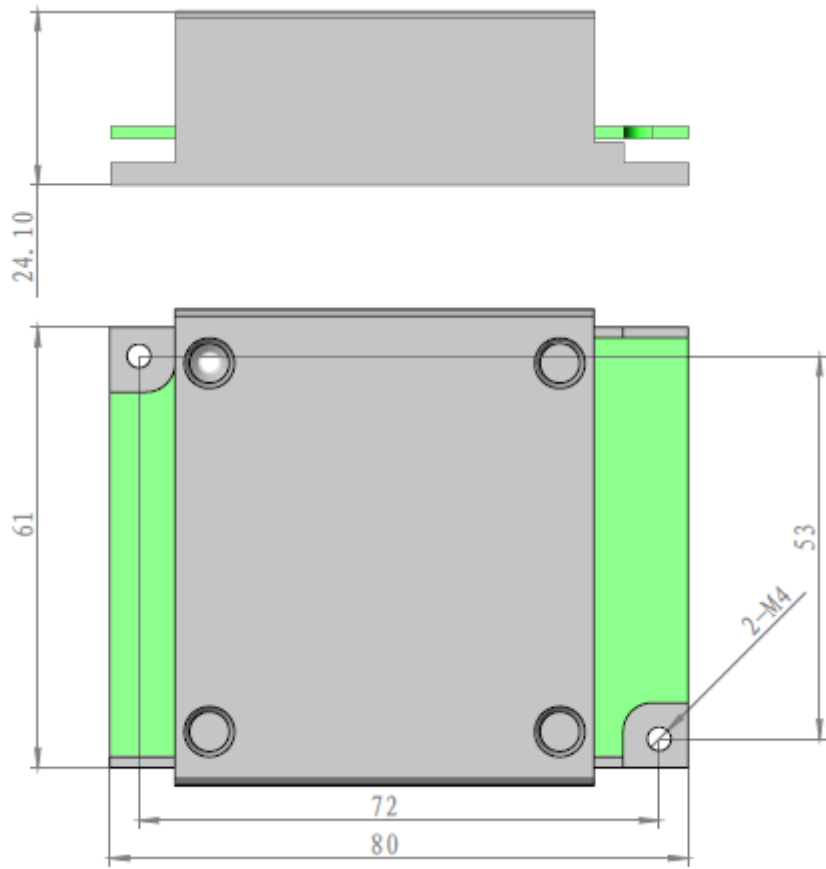


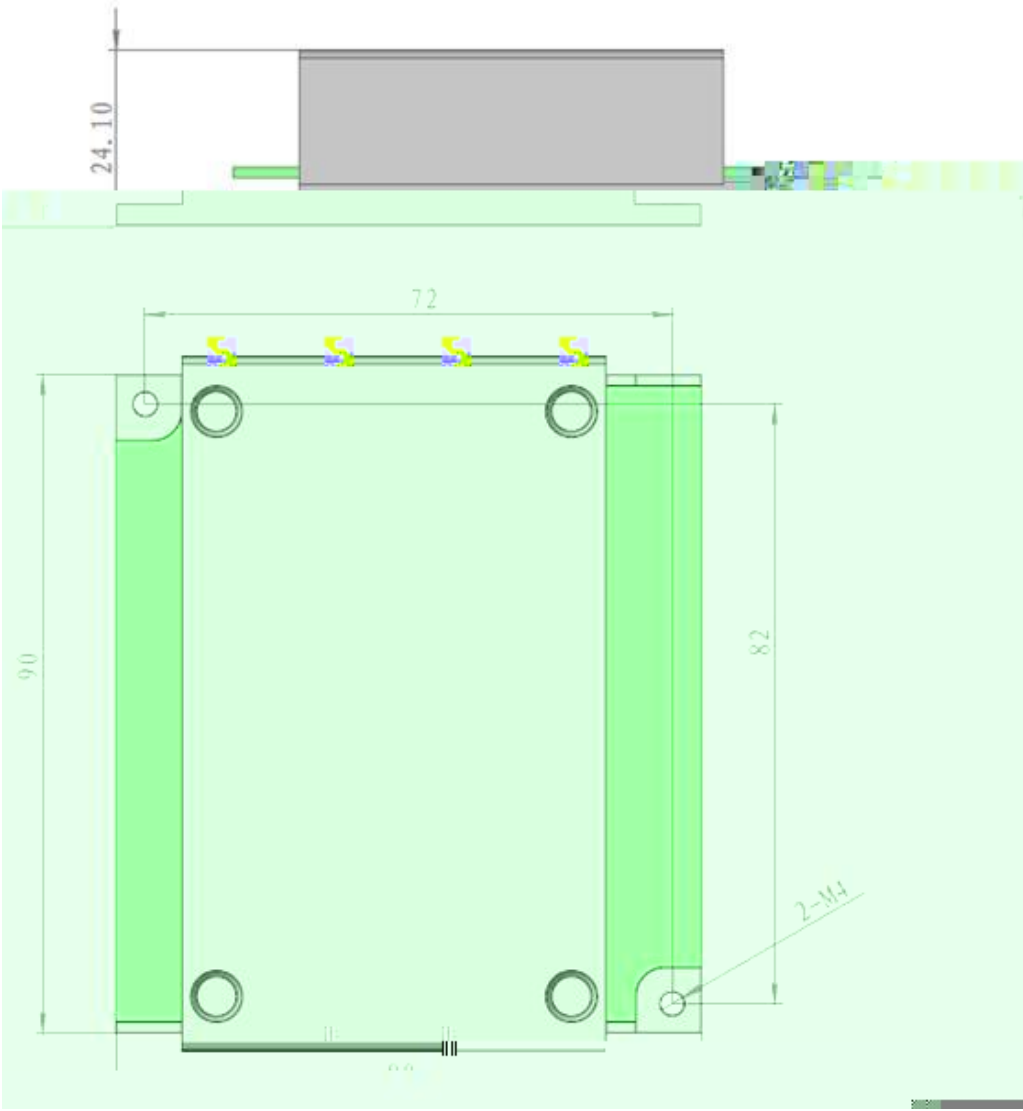




RS232









-

-